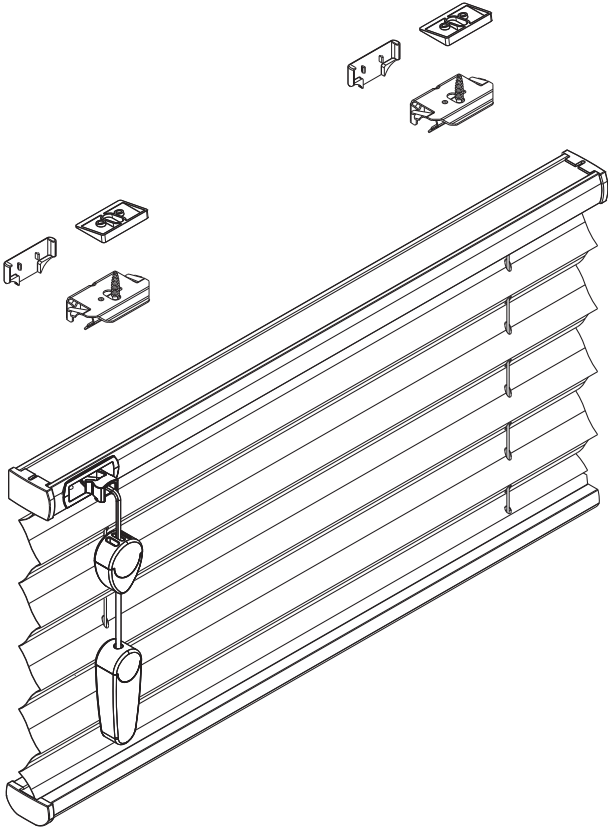


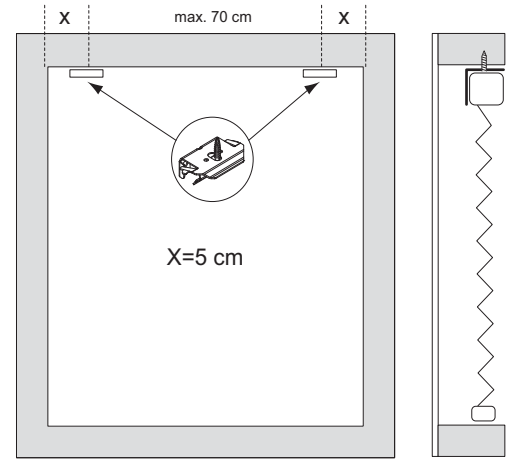
Installation TopFix / RecessFix [R1]

- Do not damage the product when using a sharp knife to open the packaging!
- Fitting screws: Use a size-2 screwdriver (POZIDRIVE) or use an electric screwdriver at it's lowest torque.
- Rail removal: Use a flat screwdriver of max. 6 mm wide.
- Only use the original screws enclosed, to prevent malfunctioning from using too thick screw heads!

**Model
A010**



Product width	Number of parts			
0 - 80 cm	2	2	2	2
81 - 150 cm	3	3	3	3
151 - 220 cm	4	4	4	4
221 - 230 cm	5	5	5	5



Cover installation

1

Wedge (11°) for slanting window frames

1A

Installation

3

Rail installation sequence on Clips

3-A1

3-A2

Clip installation

2

Operation: Release and move the blind

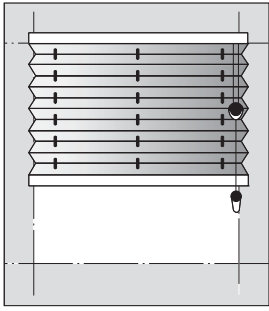
4

Stop and secure the blind

Cordlock releasing, by moving the cord to the middle

Cordlock securing by moving the cord to the outside

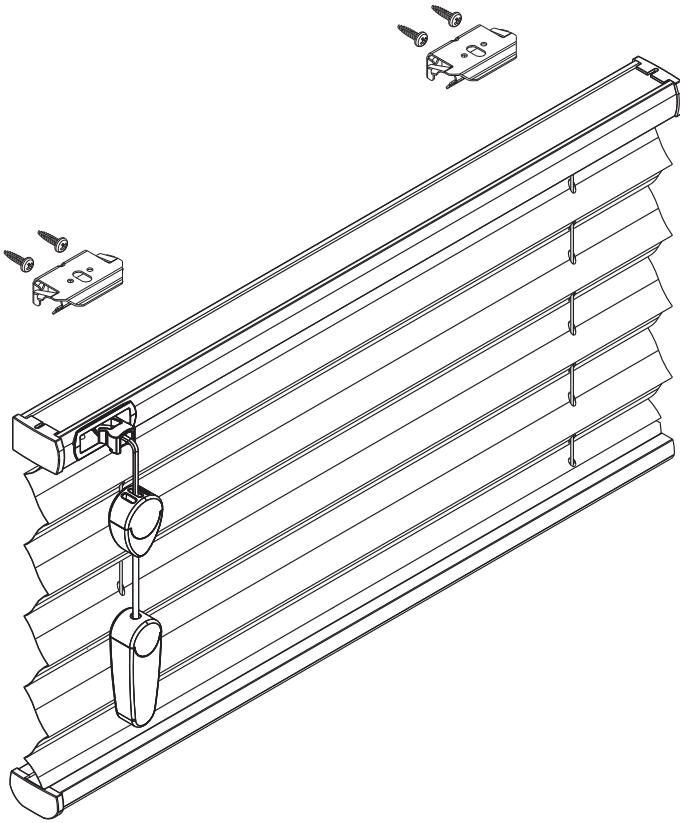
Removal



FaceFix installation to a window frame / wall [F1]

- Do not damage the product when using a sharp knife to open the packaging!
- Fitting screws: Use a size-2 screwdriver (POZIDRIVE) or use an electric screwdriver at it's lowest torque.
- Rail removal: Use a flat screwdriver of max. 6 mm wide.
- Only use the original screws enclosed, to prevent malfunctioning from using too thick screw heads!

**Model
A010**



Product width	Number of parts	
0 - 80 cm	2	4
81 - 150 cm	3	6
151 - 220 cm	4	8
221 - 230 cm	5	10

