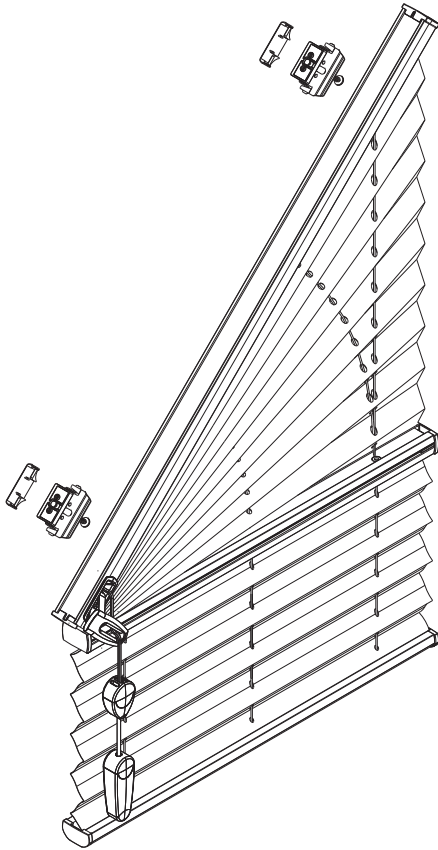


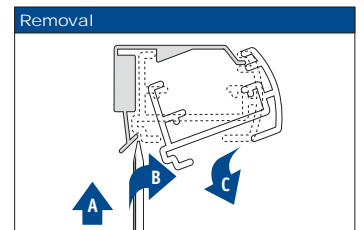
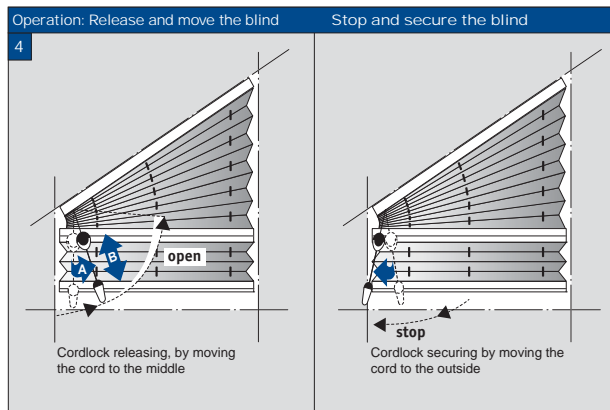
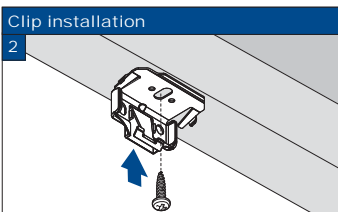
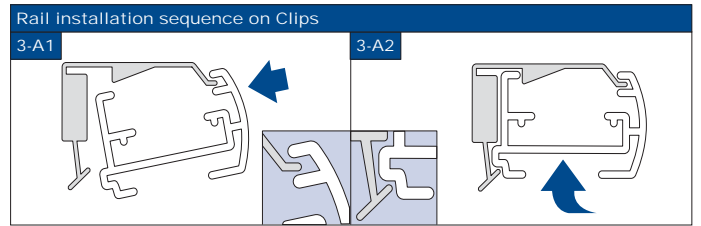
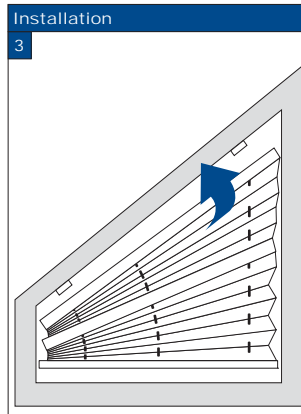
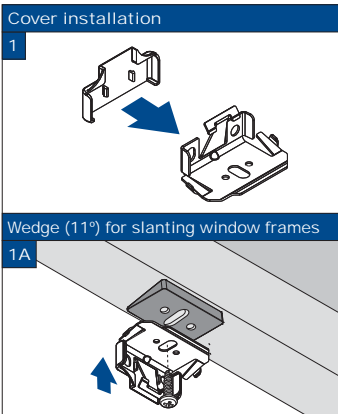
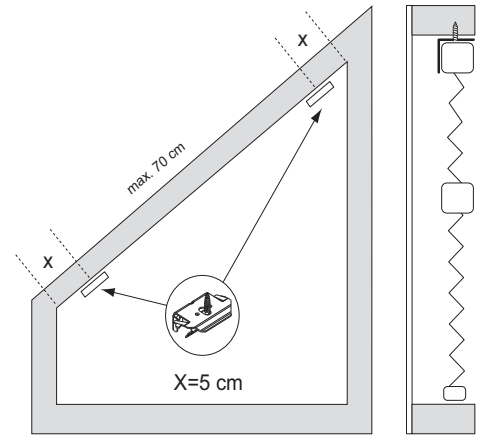
Installation TopFix / RecessFix [R1]

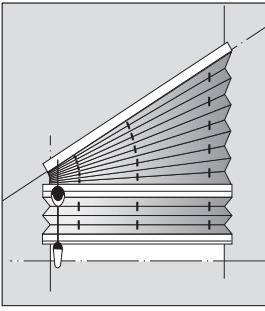
- Do not damage the product when using a sharp knife to open the packaging!
- Fitting screws: Use a size-2 screwdriver (POZIDRIVE) or use an electric screwdriver at it's lowest torque.
- Rail removal: Use a flat screwdriver of max. 6 mm wide.
- Only use the original screws enclosed, to prevent malfunctioning from using too thick screw heads!

**Model
A040**



Product width	Number of parts			
0 - 55 cm	2	2	2	2
56 - 100 cm	3	3	3	3
101 - 145 cm	4	4	4	4
146 - 190 cm	5	5	5	5
191 - 230 cm	6	6	6	6

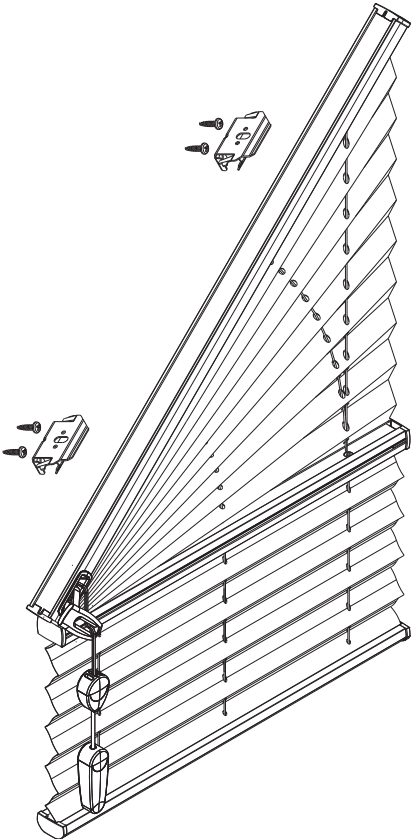




FaceFix installation to a window frame / wall [F1]

- Do not damage the product when using a sharp knife to open the packaging!
- Fitting screws: Use a size-2 screwdriver (POZIDRIVE) or use an electric screwdriver at it's lowest torque.
- Rail removal: Use a flat screwdriver of max. 6 mm wide.
- Only use the original screws enclosed, to prevent malfunctioning from using too thick screw heads!

**Model
A040**



Product width	Number of parts	
0 - 55 cm	2	4
56 - 100 cm	3	6
101 - 145 cm	4	8
146 - 190 cm	5	10
191 - 230 cm	6	12

